

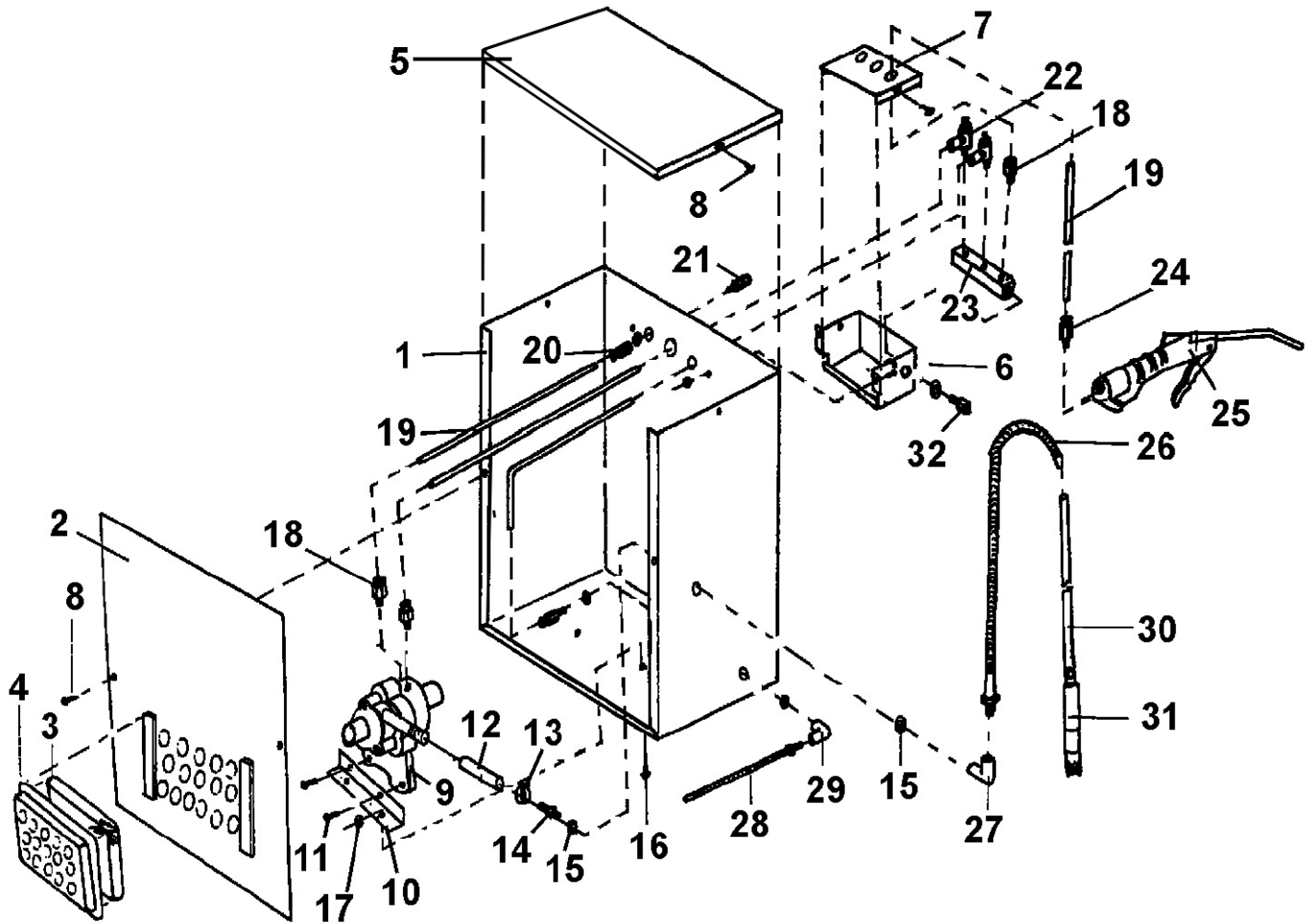
Item	Part No.	Description
1	SM223/01	Body
2	SM223/02	Cover
3	SM223/03	Safety Link
4	SM221/04	Pan Screw 1/4" x 3/4"
5	SM223/05	Rd Head S/T Screw M4 X 10
7	SN14.UNC	Steel Nut 1/4"UNC Zinc

Item	Part No.	Description
8	SM30/A08	Oil Drain Plug
8.1	SM221/08-1	O-ring, (Ex: 20.39 In: 15.79 Cs: 2.30)
9	SM223/09	Shelf
10	SM40/10	Leg
11	SM221/11-13	Pan Screw, Washer & Hex Nut Assembly
14	SM40.V2-06	Work Shelf
15	SM40D.V2-11	Filter Basket

NOTE: It is our policy to continually improve products and as such we reserve the right to alter data, specifications and component parts without prior notice. There may be alternative versions of this product, please contact us should you require this information.

IMPORTANT: No liability is accepted for incorrect use of product. Spare parts must be fitted by a competent person

WARRANTY: Guarantee is 12 months from purchase date, proof of which will be required for any claim.



Item	Part No.	Description
1	SM221/P-01	Pump Housing
2	SM221/P-02	Housing Front Cover
3	SM30/A25	Filter
4	SM221/P-04	Filter Bracket
5	SM221/P-05	Housing Top
6	SM221/P-06	Adjustable Housing For Switch
7	SM221/P-07	Switch Box Cover
8	SM223/P-08	Tapping Screw
9	SM223/P-09	Air Pump
10	SM221/P-10	Pump Fixed Plate
11	SM223/P-11	Pan Screw 3/16" x 5/8"
12	SM40/21	Fluid Hose
13	SM221/P-13	Hose Clamp
14	SM221/P-14	Connector 1/4" x 1/4"
15	FWM12.S	Flat Washer M12 Zinc
16	SM223/P-16	Pan Screw 5/32" x 3/8"
17	SM221/P-17	Hex Nut 5/32"

Item	Part No.	Description
18	SM221/P-18	Pu Hose Quick Connector 1/8"
19	SM223/P-19	Pu Hose 5mm x 8mm x 1040mm
20	SM221/P-20	Pu Hose Quick Connector Inside Thread
21	SM221/P-21	Silencer 1/8"
22	SM22C.P-22	Adjustable Switch
23	SM221/P-23	Inlet Pipe
24	SM221/P-24	Pu Hose Quick Connector 1/4"
25	SM221/P-25	Air Blow Gun
26	SM40D.V2-18	Flexible Pipe
27	SM221/P-27	L Connector Internal Thread 1/4"
28	SM221/P-28	Turbo Spigot
29	SM221/P-29	L Connector Internal Thread 1/8"
30	SM221/P-30	Clear Tube
31	SM221/P-31	Cleaning Brush
32	SM221/P-32	Inlet connector 1/4" Internal Thread
--	SM223/PUMP	Pump Assembly (Not Shown)

NOTE: It is our policy to continually improve products and as such we reserve the right to alter data, specifications and component parts without prior notice. There may be alternative versions of this product, please contact us should you require this information.

IMPORTANT: No liability is accepted for incorrect use of product. Spare parts must be fitted by a competent person

WARRANTY: Guarantee is 12 months from purchase date, proof of which will be required for any claim.